

- 1
- 2
- 3
- 4
- 5
- 6
- 7
- 8
- 9
- 10
- 11
- 12
- 13
- 14
- 15
- 16
- 17
- 18
- 19

MATERIAL

Aluminium, matte finish.
AISI 304 stainless steel screws and clamping nuts.

STANDARD EXECUTIONS

- **GN 147-B:** for round tubes.
- **GN 147-V:** for square tubes.

Surface finish index:

- **BL:** natural colour.
- **SW:** epoxy resin coating, RAL 9005 black colour.

FEATURES AND APPLICATIONS

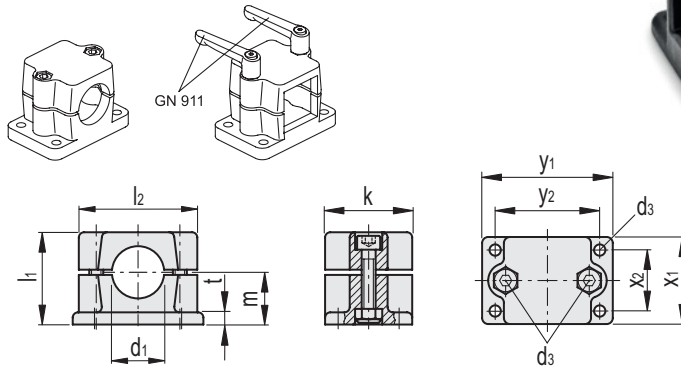
The assembly hole of GN 147 connecting clamps allows an excellent match with tubes GN 990 (see page 1368).

The clamping screw d3 may be replaced by clamping kit GN 911 (see page 1372).



Conversion Table
1 mm = 0.039 inch

d1	
mm	inch
20	0.78
25	0.98
30	1.17
40	1.56
42	1.64
45	1.76
48	1.87
50	1.95
60	2.34

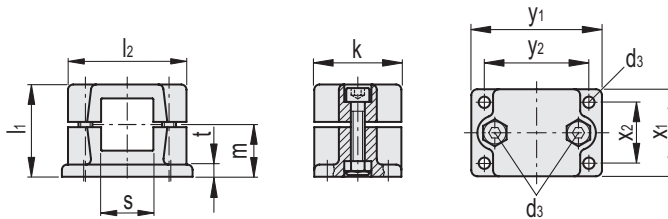


METRIC

GN 147-B

Code	Description	d1 Hole	d2	d3	k	l1	l2	m	t	x1	x2	y1	y2	d3 Clamping kit	Δ
GN.47011	GN 147-B20-2-BL	20	6.5	M8	50	53	68	30	7	50	35	75	60	GN 911-63-M8-40 GN 911-78-M8-40	247
GN.47031	GN 147-B25-2-BL	25	6.5	M8	50	53	68	30	7	50	35	75	60	GN 911-63-M8-40 GN 911-78-M8-40	240
GN.47051	GN 147-B30-2-BL	30	6.5	M8	50	53	68	30	7	50	35	75	60	GN 911-63-M8-40 GN 911-78-M8-40	232
GN.47071	GN 147-B40-2-BL	40	11	M10	76	81.5	98	46.5	14	76	50	115	90	GN 911-78-M10-78 GN 911-92-M10-92	700
GN.47091	GN 147-B42-2-BL	42	11	M10	76	81.5	98	46.5	14	76	50	115	90	GN 911-78-M10-78 GN 911-92-M10-92	651
GN.47111	GN 147-B45-2-BL	45	11	M10	76	81.5	98	46.5	14	76	50	115	90	GN 911-78-M10-78 GN 911-92-M10-92	640
GN.47131	GN 147-B48-2-BL	48	11	M10	76	81.5	98	46.5	14	76	50	115	90	GN 911-78-M10-78 GN 911-92-M10-92	760
GN.47151	GN 147-B50-2-BL	50	11	M10	76	81.5	98	46.5	14	76	50	115	90	GN 911-78-M10-78 GN 911-92-M10-92	620
GN.47161	GN 147-B60-2-BL	60	11	M10	90	98	108.5	56	14	90	64	140	113	-	1255
GN.47016	GN 147-B20-2-SW	20	6.5	M8	50	53	68	30	7	50	35	75	60	GN 911-63-M8-40 GN 911-78-M8-40	247
GN.47036	GN 147-B25-2-SW	25	6.5	M8	50	53	68	30	7	50	35	75	60	GN 911-63-M8-40 GN 911-78-M8-40	240
GN.47056	GN 147-B30-2-SW	30	6.5	M8	50	53	68	30	7	50	35	75	60	GN 911-63-M8-40 GN 911-78-M8-40	232
GN.47076	GN 147-B40-2-SW	40	11	M10	76	81.5	98	46.5	14	76	50	115	90	GN 911-78-M10-78 GN 911-92-M10-92	700
GN.47096	GN 147-B42-2-SW	42	11	M10	76	81.5	98	46.5	14	76	50	115	90	GN 911-78-M10-78 GN 911-92-M10-92	651
GN.47116	GN 147-B45-2-SW	45	11	M10	76	81.5	98	46.5	14	76	50	115	90	GN 911-78-M10-78 GN 911-92-M10-92	640
GN.47136	GN 147-B48-2-SW	48	11	M10	76	81.5	98	46.5	14	76	50	115	90	GN 911-78-M10-78 GN 911-92-M10-92	760
GN.47156	GN 147-B50-2-SW	50	11	M10	76	81.5	98	46.5	14	76	50	115	90	GN 911-78-M10-78 GN 911-92-M10-92	620
GN.47166	GN 147-B60-2-SW	60	11	M10	90	98	108.5	56	14	90	64	140	113	-	1255

Conversion Table 1 mm = 0.039 inch	
s	
mm	inch
20	0.78
25	0.98
30	1.17
40	1.56
45	1.76
50	1.95
60	2.34



GN 147-V

METRIC

Code	Description	s Square hole	d2	d3	k	l1	l2	m	t	x1	x2	y1	y2	d3 Clamping kit	⚖
GN.47211	GN 147-V20-2-BL	20x20	6.5	M8	50	53	68	30	7	50	35	75	60	GN 911-63-M8-40 GN 911-78-M8-40	242
GN.47231	GN 147-V25-2-BL	25x25	6.5	M8	50	53	68	30	7	50	35	75	60	GN 911-63-M8-40 GN 911-78-M8-40	230
GN.47251	GN 147-V30-2-BL	30x30	6.5	M8	50	53	68	30	7	50	35	75	60	GN 911-63-M8-40 GN 911-78-M8-40	221
GN.47271	GN 147-V40-2-BL	40x40	11	M10	76	81.5	98	46.5	14	76	50	115	90	GN 911-78-M10-78 GN 911-92-M10-92	643
GN.47291	GN 147-V45-2-BL	45x45	11	M10	76	81.5	98	46.5	14	76	50	115	90	GN 911-78-M10-78 GN 911-92-M10-92	625
GN.47311	GN 147-V50-2-BL	50x50	11	M10	76	81.5	98	46.5	14	76	50	115	90	GN 911-78-M10-78 GN 911-92-M10-92	610
GN.47321	GN 147-V60-2-BL	60x60	11	M10	90	98	108.5	56	14	90	64	140	113	-	1185
GN.47216	GN 147-V20-2-SW	20x20	6.5	M8	50	53	68	30	7	50	35	75	60	GN 911-63-M8-40 GN 911-78-M8-40	242
GN.47236	GN 147-V25-2-SW	25x25	6.5	M8	50	53	68	30	7	50	35	75	60	GN 911-63-M8-40 GN 911-78-M8-40	230
GN.47256	GN 147-V30-2-SW	30x30	6.5	M8	50	53	68	30	7	50	35	75	60	GN 911-63-M8-40 GN 911-78-M8-40	221
GN.47276	GN 147-V40-2-SW	40x40	11	M10	76	81.5	98	46.5	14	76	50	115	90	GN 911-78-M10-78 GN 911-92-M10-92	643
GN.47296	GN 147-V45-2-SW	45x45	11	M10	76	81.5	98	46.5	14	76	50	115	90	GN 911-78-M10-78 GN 911-92-M10-92	625
GN.47316	GN 147-V50-2-SW	50x50	11	M10	76	81.5	98	46.5	14	76	50	115	90	GN 911-78-M10-78 GN 911-92-M10-92	610
GN.47326	GN 147-V60-2-SW	60x60	11	M10	90	98	108.5	56	14	90	64	140	113	-	1185



Tube connectors